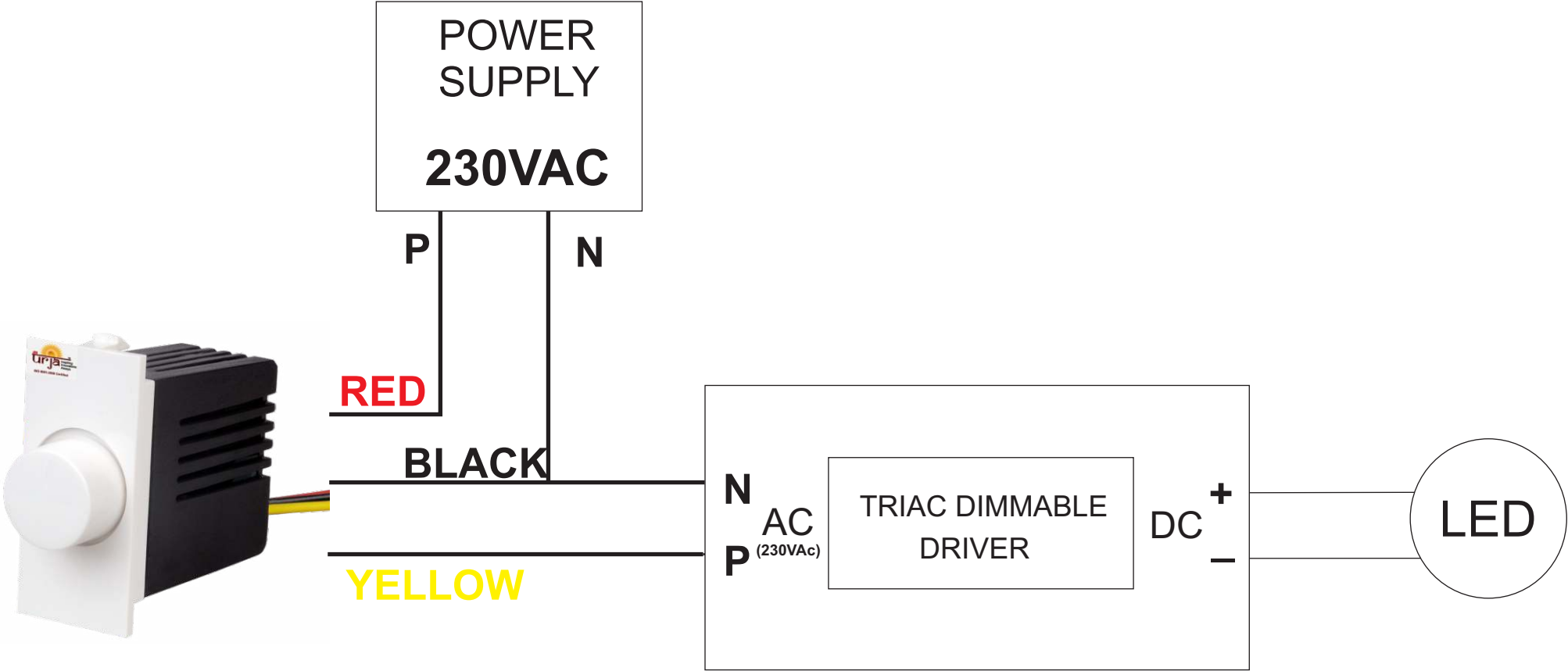


# JSK URJA DIGITAL DIMMER THREE WIRED CONNECTION DIAGRAM



Note: Multiple driver can be looped (according to wattage limit) using same wiring direction