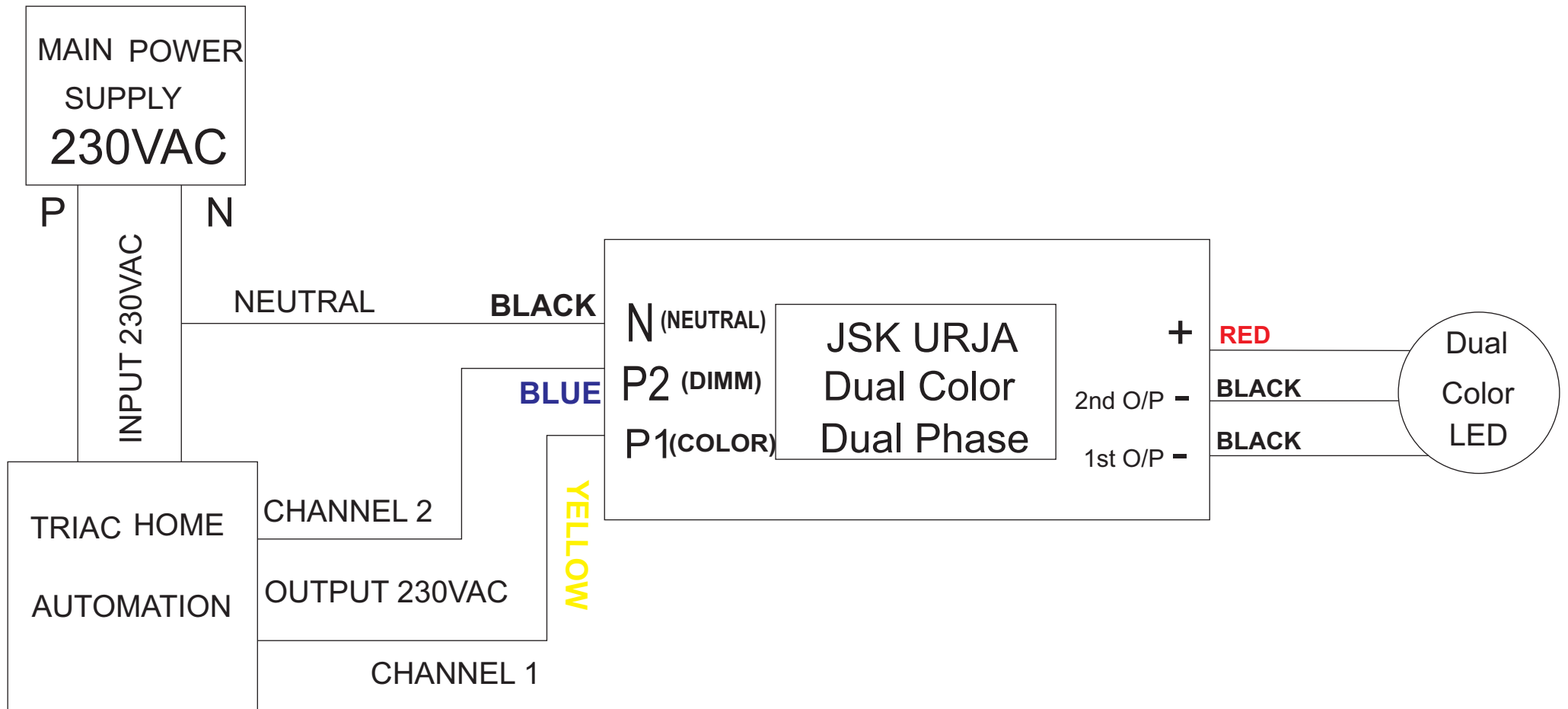


JSK URJA DUAL COLOR DUAL PHASE DIMMABLE DRIVER CONNECTION DIAGRAM



NOTE: 1. Blue wire is use for Dimming LED Light

2. Yellow wire is use for Changing Color of LED Light